

CONTENTS

RECEPTION DESKS

DIAMOND



4-5

ILLUSION



6

MAGIC MATT



7

MAGIC SHINE



8

MAGIC WOOD



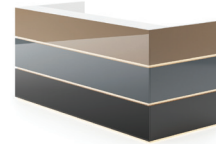
9

LITTLE PEARL



10

PEARL



10

TERRA



11

LIBRA



12

BLOCK



13

LINUS



14-15

VEGA



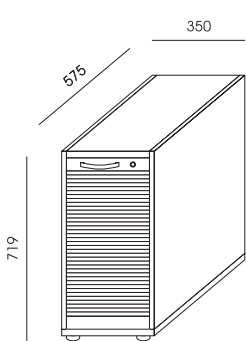
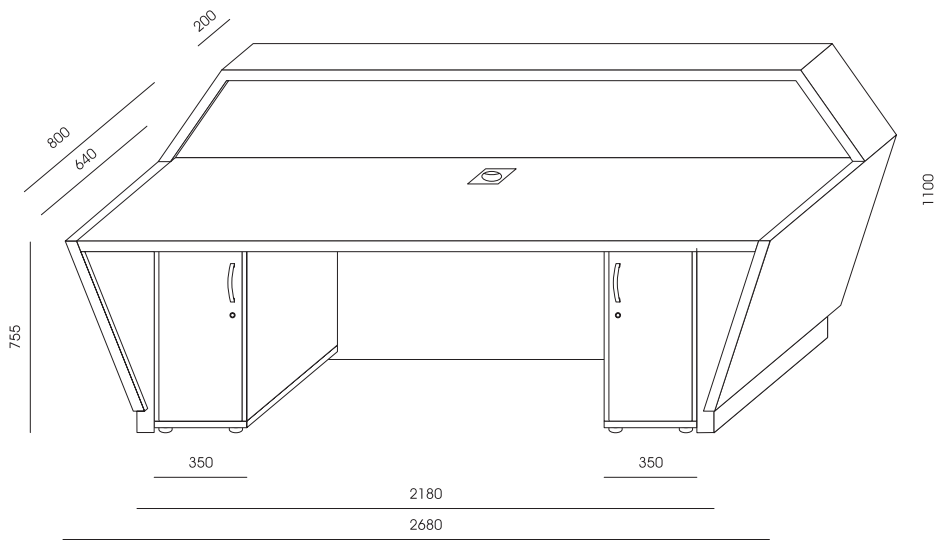
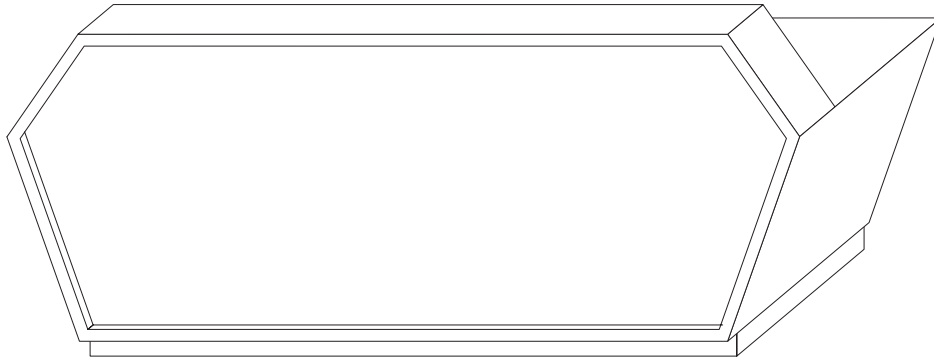
16



RECEPTION DESKS - DIAMOND

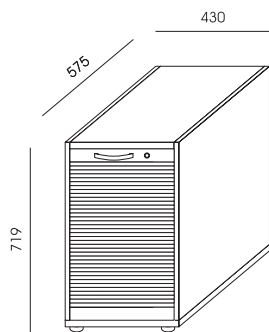
APPROXIMATE LEAD TIME - UP TO 8 WEEKS

DD-1



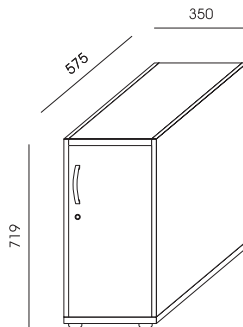
DD-11

TAMBOUR-DOOR FIXED CABINET FOR DD-1, SOFT-CLOSE DRAWER, ONE SHELF



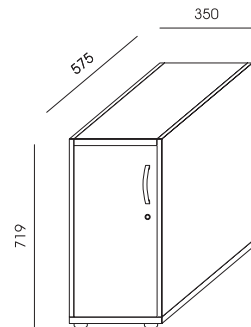
DD-12

TAMBOUR-DOOR FIXED CABINET FOR DD-1, PEN-TRAY DRAWER, ONE SHELF



DD-13

FIXED CABINET FOR DD-1, RIGHT-HANDED SWING DOORS WITH SOFT-CLOSING SYSTEM, ONE SHELF



DD-14

FIXED CABINET FOR DD-1, LEFT-HANDED SWING DOORS WITH SOFT-CLOSING SYSTEM, ONE SHELF

FRONT MADE OF DECORATIVE GLASS, TEMPERED, WITH UV OVERPRINT – GRAPHICS CHOSEN FROM WUTEH COLOUR SAMPLER OR BASED ON THE GRAPHICS PROVIDED BY THE CUSTOMER (MINIMUM RESOLUTION - 300 DPI).

GLASS FRONT ILLUMINATED FROM INSIDE WITH WHITE LED LIGHTING – INCLUDED AS STANDARD.

BODY AND PLINTH MADE OF GLOSSY LACQUERED MDF, 38 MM THICK – AVAILABLE COLOURS FROM WUTEH COLOUR SAMPLER.

RECEPTION DESK DD-1 REQUIRES ORDERING TWO CABINETS, TO BE CHOSEN FROM: DD-11, DD-12, DD-13 AND DD-14.

CABINETS FOR RECEPTION DESK ARE MADE OF MELAMINATED PANEL - AVAILABLE COLOURS FROM WUTEH COLOUR SAMPLER.

TAMBOUR DOOR WHITE OR SILVER, METAL HANDLE – AVAILABLE COLOURS FROM WUTEH COLOUR SAMPLER.

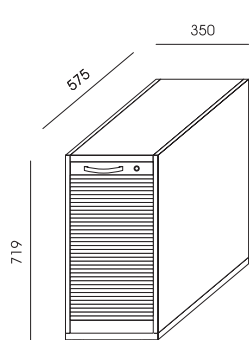
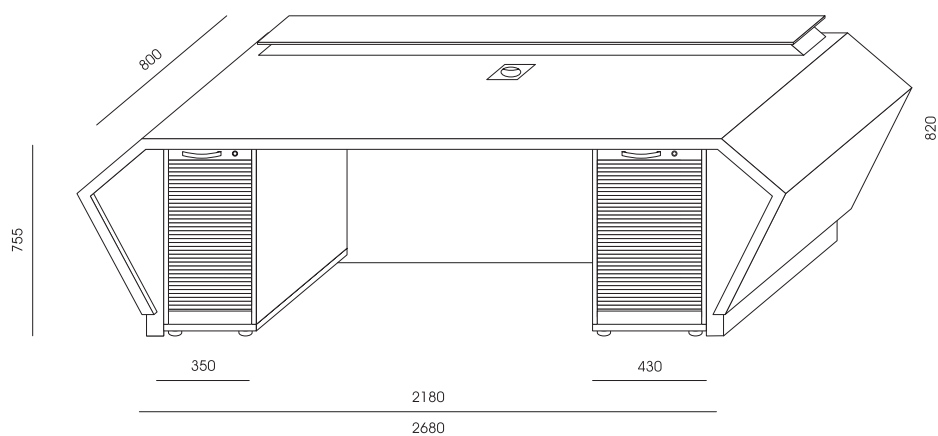
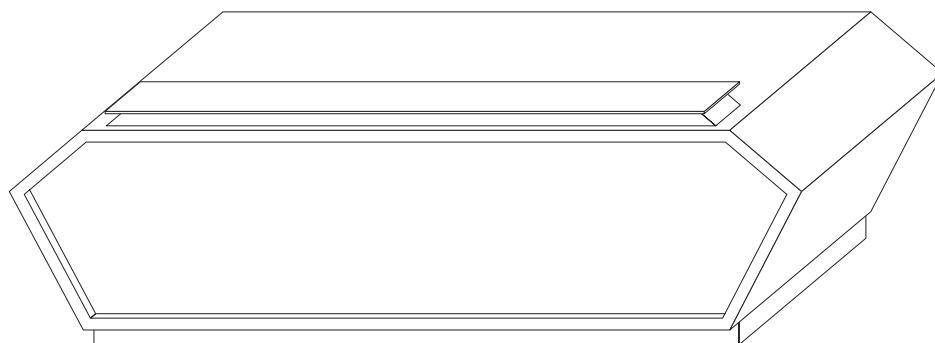
RECEPTION DESK DD-1 HAS A WORKTOP MADE OF MATT LACQUERED MDF PANEL.

WORKTOP INCLUDING ONE SQUARE CABLE-PASS 90X90 MM – AVAILABLE COLOURS: WHITE, BLACK, CHROMIUM, CHROMIUM MATT.

CABLE-PASS LOCATION TO BE AGREED DURING ORDERING.

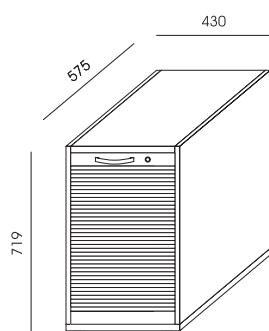


DD-2



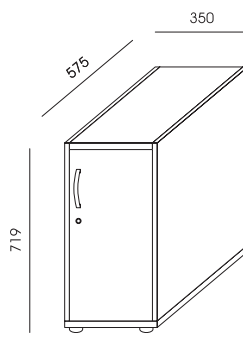
DD-11

TAMBOUR-DOOR FIXED CABINET FOR DD-1, SOFT-CLOSE DRAWER, ONE SHELF



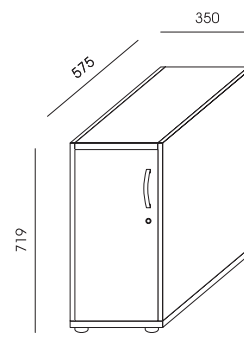
DD-12

TAMBOUR-DOOR FIXED CABINET FOR DD-1, PEN-TRAY DRAWER, ONE SHELF



DD-13

FIXED CABINET FOR DD-1, RIGHT-HANDED SWING DOORS WITH SOFT-CLOSING SYSTEM, ONE SHELF



DD-14

FIXED CABINET FOR DD-1, LEFT-HANDED SWING DOORS WITH SOFT-CLOSING SYSTEM, ONE SHELF

FRONT MADE OF DECORATIVE GLASS, TEMPERED, WITH UV OVERPRINT – GRAPHICS CHOSEN FROM WUTEH COLOUR SAMPLER OR BASED ON THE GRAPHICS PROVIDED BY THE CUSTOMER (MINIMUM RESOLUTION - 300 DPI).

GLASS FRONT ILLUMINATED FROM INSIDE WITH WHITE LED LIGHTING – INCLUDED AS STANDARD.

BODY AND PLINTH MADE OF GLOSSY LACQUERED MDF, 38 MM THICK – AVAILABLE COLOURS FROM WUTEH COLOUR SAMPLER.

RECEPTION DESK DD-2 REQUIRES ORDERING TWO CABINETS, TO BE CHOSEN FROM: DD-11, DD-12, DD-13 AND DD-14.

CABINETS FOR RECEPTION DESK ARE MADE OF MELAMINATED PANEL - AVAILABLE COLOURS FROM WUTEH COLOUR SAMPLER.

TAMBOUR DOOR WHITE OR SILVER, METAL HANDLE – AVAILABLE COLOURS FROM WUTEH COLOUR SAMPLER.

DESK DD-2 HAS WORKTOP MADE OF MATT LACQUERED MDF PANEL AND RISER MADE OF LACQUERED MDF PANEL WITH GROUND AND POLISHED TEMPERED GLASS - AVAILABLE COLOURS FROM WUTEH COLOUR SAMPLER.

WORKTOP INCLUDING ONE SQUARE CABLE-PASS 90X90 MM – AVAILABLE COLOURS: WHITE, BLACK, CHROMIUM, CHROMIUM MATT.

CABLE-PASS LOCATION TO BE AGREED DURING ORDERING.

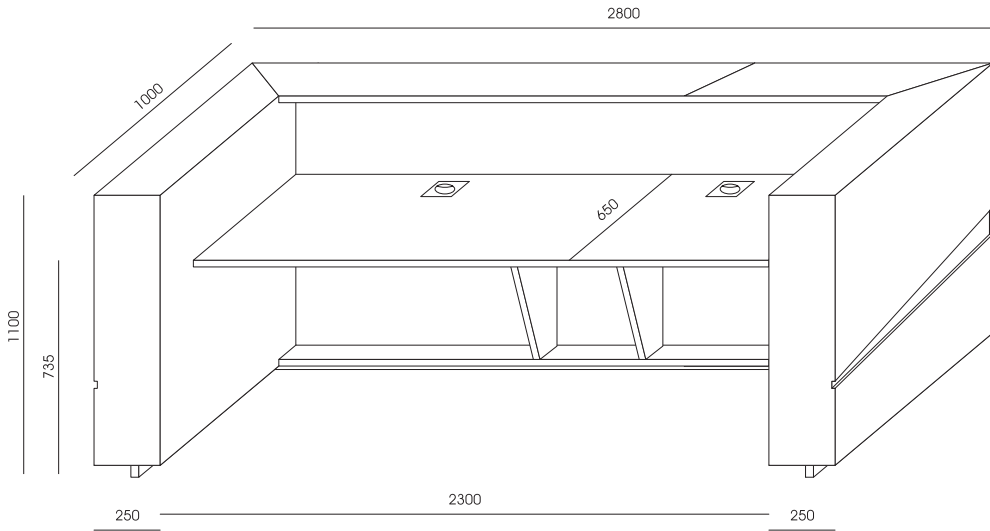
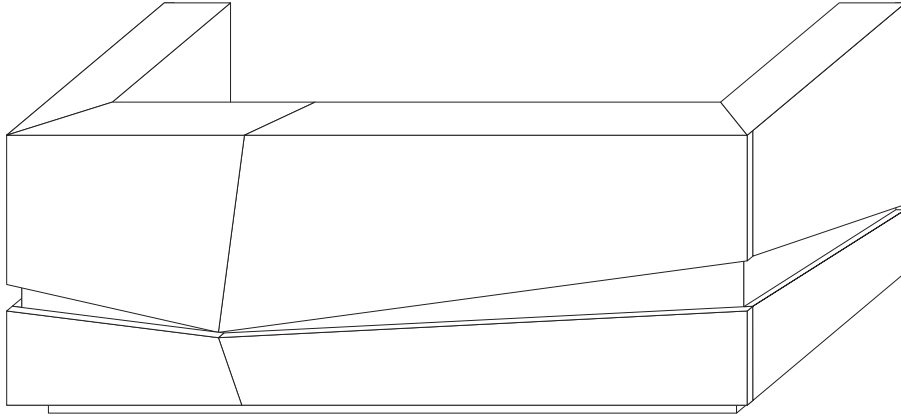


RECEPTION DESKS - ILLUSION

APPROXIMATE LEAD TIME - UP TO 6 WEEKS

IL-1

IL-1p



FRONT AND SIDES OF THE RECEPTION DESK ARE MADE OF MELAMINED PANEL, EXCISED IN THE ANGLES TO CREATE THE ILLUSION OF DEPTH AND CONVEXITY. OTHER COMPONENTS MADE OF MELAMINED PANEL.

FRONT AND SIDES OF THE RECEPTION DESK IN PREMIUM VERSION ARE MADE OF ACRYLUX PANEL, OTHER COMPONENTS ARE MADE OF MELAMINED PANEL. GLASS IN THE FRONT AND SIDES WITH UV OVERPRINT – WHITE, LIGHT DIFFUSING.

WORKTOP WITH LACOBEL GLASS – AVAILABLE COLOURS: MILK-WHITE 9003, BLACK 9005, ANTHRACITE 7016, SILVER 9006.

WORKTOP INCLUDES TWO SQUARE CABLE-PASSES 90X90 MM – AVAILABLE COLOURS: WHITE, BLACK, CHROMIUM, CHROMIUM MATT.

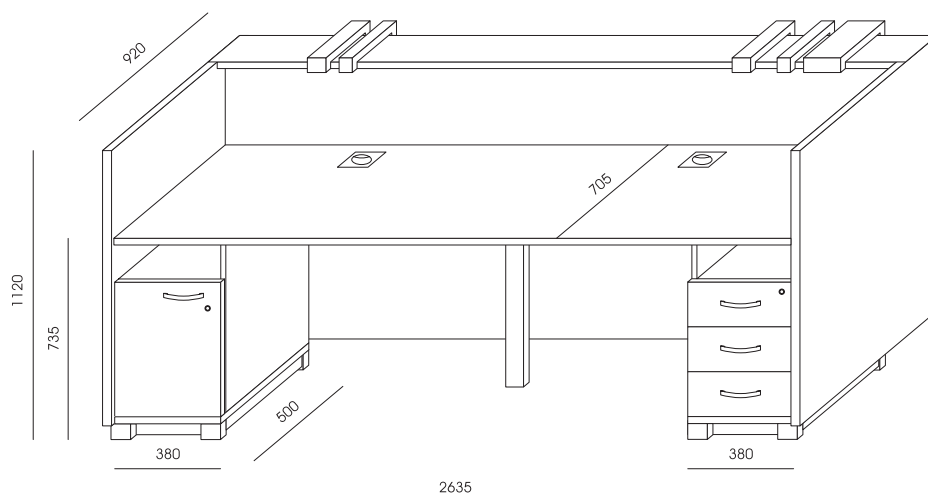
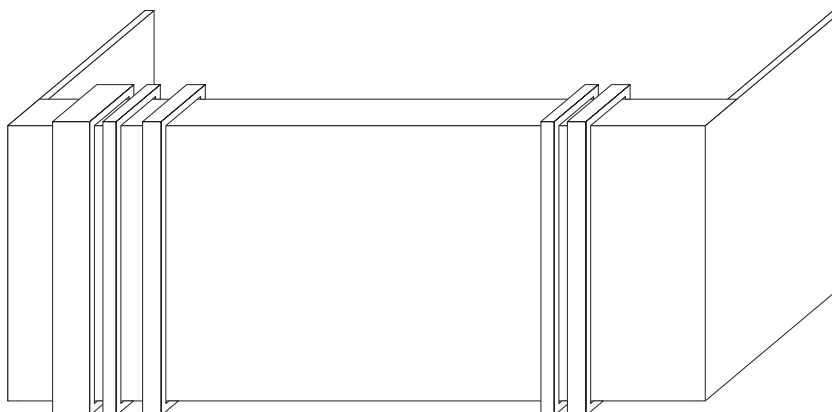
RGB LED LIGHTING GENERATING VARIOUS COLOURS BY REMOTE CONTROL – INCLUDED AS STANDARD.

RECEPTION DESKS - MAGIC MATT



APPROXIMATE LEAD TIME - UP TO 6 WEEKS

MC-1



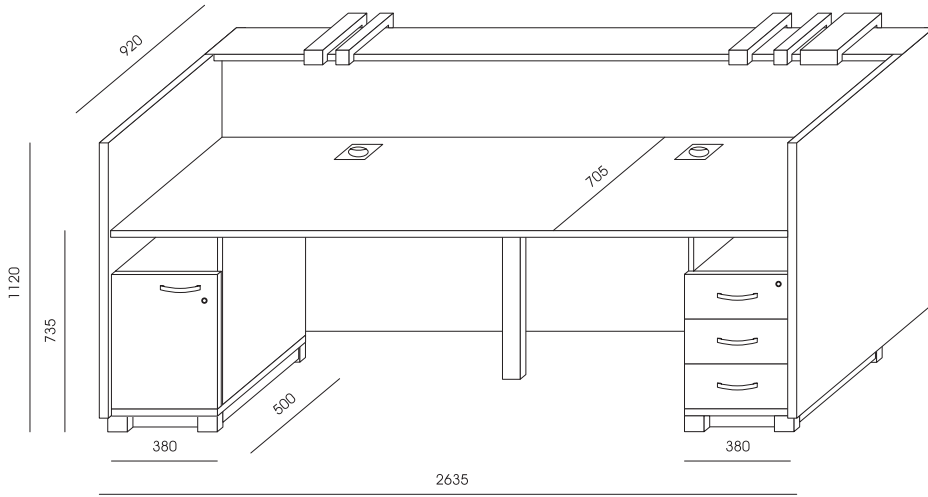
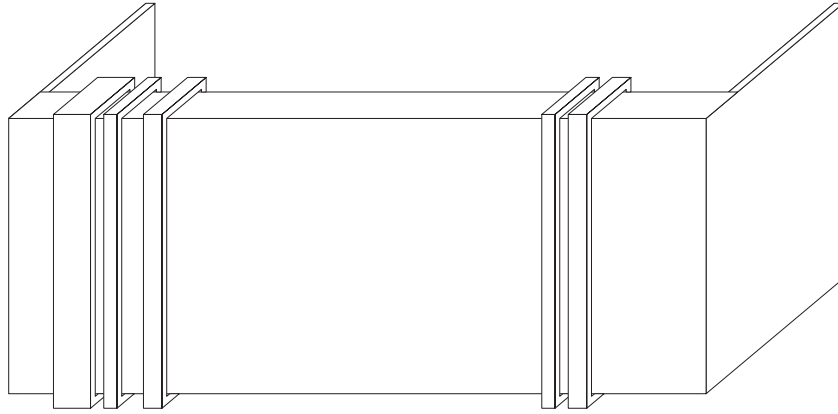
FRONT AND OUTER SIDES OF THE RECEPTION DESK ARE MADE OF MELAMINATED PANEL FINISHED WITH STRUCTURAL COATING – AVAILABLE COLOURS: RUST, COPPER, CONCRETE (MANUALLY APPLIED ON PANEL SURFACE, STRUCTURE AND COLOUR ARE UNEVEN AND UNIQUE).
OTHER COMPONENTS MADE OF MELAMINATED PANEL – AVAILABLE COLOURS FROM WUTEH COLOUR SAMPLER.
DECORATIVE FRAMES MADE OF POWDER COATED STEEL TUBE – AVAILABLE COLOURS FROM WUTEH COLOUR SAMPLER.
INSIDE THE RECEPTION DESK ON THE RIGHT SIDE – FIXED PEDESTAL WITH DRAWERS (METAL SIDES OF DRAWERS, SOFT-CLOSING SYSTEM), PEDESTAL FRONT MADE OF MELAMINATED PANEL, METAL HANDLE – AVAILABLE COLOURS FROM WUTEH COLOUR SAMPLER.
INSIDE THE RECEPTION DESK ON THE LEFT – SWING-DOOR CABINET WITH SOFT-CLOSING SYSTEM, CABINET FRONT MADE OF MELAMINATED PANEL, METAL HANDLE – AVAILABLE COLOURS FROM WUTEH COLOUR SAMPLER.
SUPPORTING LEG AND PLINTHS FOR CABINETS AVAILABLE IN RAL COLOURS FROM WUTEH COLOUR SAMPLER.
WORKTOP WITH LACOBEL GLASS – AVAILABLE COLOURS: MILK-WHITE 9003, BLACK 9005, ANTHRACITE 7016, SILVER 9006.
WORKTOP INCLUDES TWO SQUARE CABLE-PASSES 90X90 MM – AVAILABLE COLOURS: WHITE, BLACK, CHROMIUM, CHROMIUM MATT.
DECORATIVE FRAMES ILLUMINATED WITH LED STRIP, REMOTE CONTROLLED – INCLUDED AS STANDARD.



RECEPTION DESKS - MAGIC SHINE

APPROXIMATE LEAD TIME - UP TO 6 WEEKS

MC-2



FRONT AND OUTER SIDES OF THE RECEPTION DESK MADE OF ACRYLUX PANEL – AVAILABLE COLOURS FROM WUTEH COLOUR SAMPLER. OTHER COMPONENTS MADE OF MELAMINED PANEL – AVAILABLE COLOURS FROM WUTEH COLOUR SAMPLER. METAL FRAMES MADE OF CHROMED METAL.

INSIDE THE RECEPTION DESK ON THE RIGHT SIDE – FIXED PEDESTAL WITH DRAWERS (METAL SIDES OF DRAWERS, SOFT-CLOSING SYSTEM), PEDESTAL FRONT MADE OF ACRYLUX PANEL, METAL HANDLE – AVAILABLE COLOURS FROM WUTEH COLOUR CHART.

INSIDE THE RECEPTION DESK ON THE LEFT – SWING-DOOR CABINET WITH SOFT-CLOSING SYSTEM, CABINET FRONT MADE OF ACRYLUX PANEL, METAL HANDLE – UA79 CHROMED METAL.

SUPPORTING LEG AND PLINTHS FOR CABINETS AVAILABLE IN RAL COLOURS FROM WUTEH COLOUR SAMPLER.

WORKTOP WITH LACOBEL GLASS – AVAILABLE COLOURS: MILK-WHITE 9003, BLACK 9005, ANTHRACITE 7016, SILVER 9006. WORKTOP INCLUDES TWO SQUARE CABLE-PASSES 90X90 MM – AVAILABLE COLOURS: WHITE, BLACK, CHROMIUM, CHROMIUM MATT.

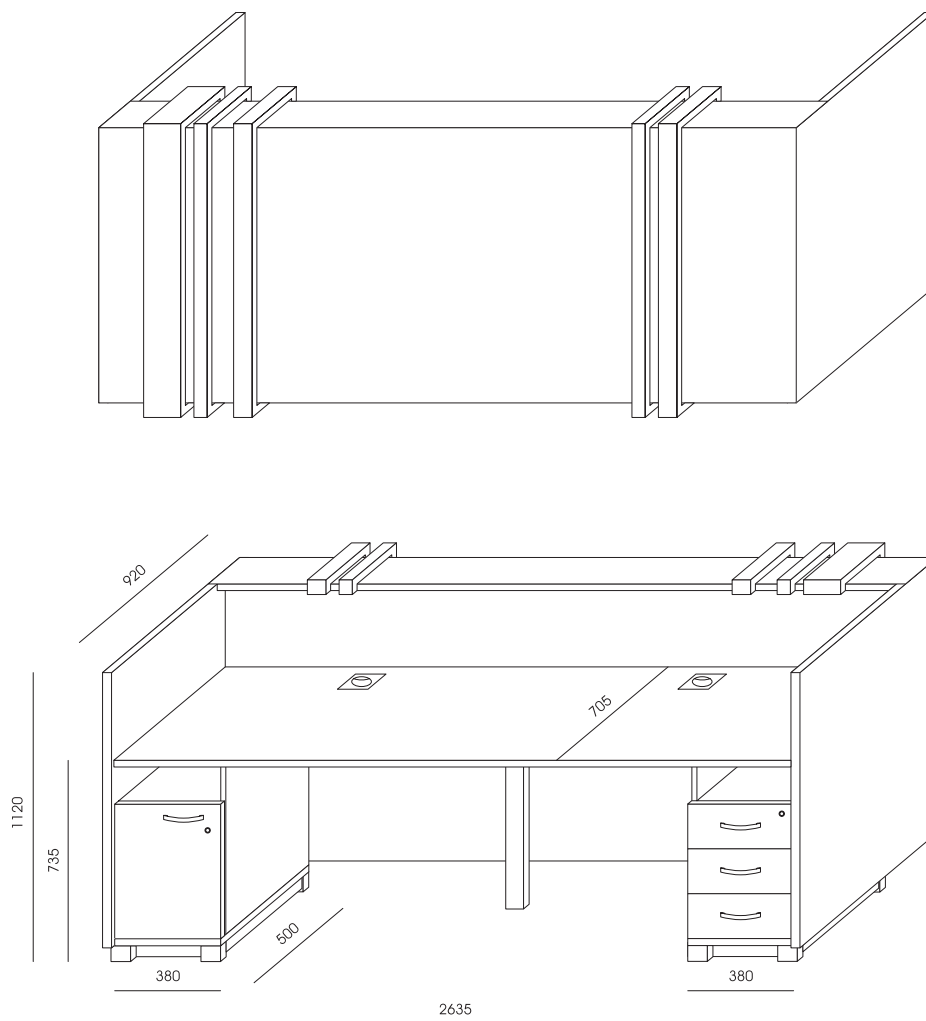
DECORATIVE FRAMES ILLUMINATED WITH LED STRIP, REMOTE CONTROLLED – INCLUDED AS STANDARD.

RECEPTION DESKS - MAGIC WOOD



APPROXIMATE LEAD TIME - UP TO 6 WEEKS

MC-3

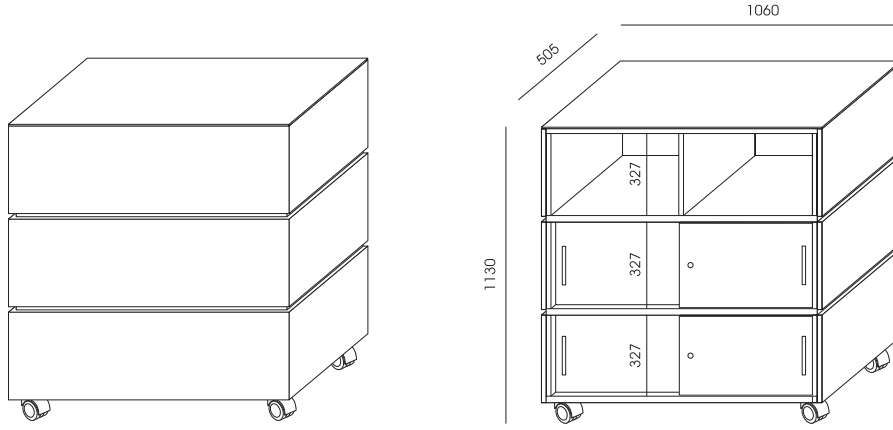


FRONT AND OUTER SIDES OF THE RECEPTION DESK MADE OF ACRYLUX PANEL – AVAILABLE COLOURS FROM WUTEH COLOUR SAMPLER.
OTHER COMPONENTS MADE OF MELAMINATED PANEL – AVAILABLE COLOURS FROM WUTEH COLOUR SAMPLER. FRAMES MADE OF LACQUERED OAK WOOD.
INSIDE THE RECEPTION DESK ON THE RIGHT SIDE – FIXED PEDESTAL WITH DRAWERS (WITH METAL SIDES OF DRAWERS, SOFT-CLOSING SYSTEM), PEDESTAL FRONT MADE OF ACRYLUX PANEL, WOODEN OAK HANDLE.
INSIDE THE RECEPTION DESK ON THE LEFT SIDE – SWING-DOOR CABINET WITH SOFT-CLOSING SYSTEM, CABINET FRONT MADE OF ACRYLUX PANEL, WOODEN OAK HANDLE.
SUPPORTING LEG AND PLINTHS FOR CABINETS AVAILABLE IN RAL COLOURS FROM WUTEH COLOUR SAMPLER.
WORKTOP WITH LACOBEL GLASS – AVAILABLE COLOURS: MILK-WHITE 9003, BLACK 9005, ANTHRACITE 7016, SILVER 9006. WORKTOP INCLUDES TWO SQUARE CABLE-PASSES 90X90 MM – AVAILABLE COLOURS: WHITE, BLACK, CHROMIUM, CHROMIUM MATT.
DECORATIVE FRAMES ILLUMINATED WITH LED STRIP, REMOTE CONTROLLED – INCLUDED AS STANDARD.



RECEPTION DESKS - LITTLE PEARL

APPROXIMATE LEAD TIME - UP TO 4 WEEKS

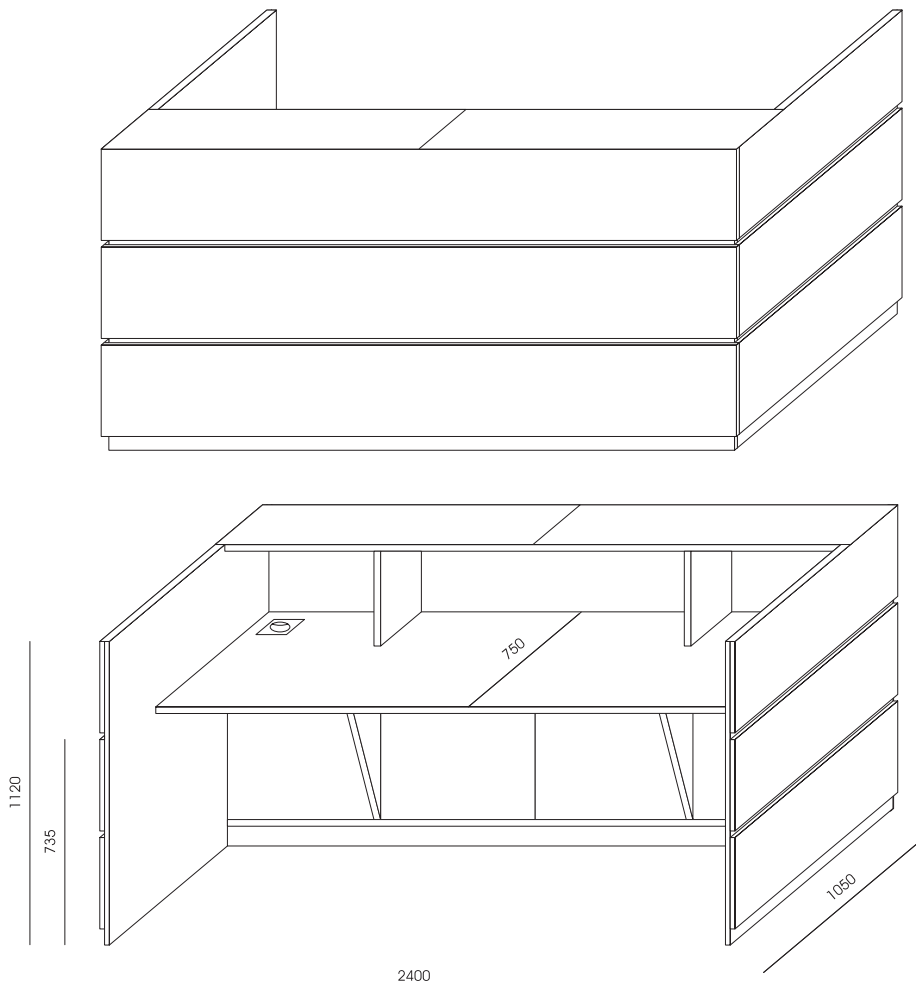


PE-1

FRONT AND SIDES OF THE RECEPTION DESK MADE OF ACRYLUX PANEL – AVAILABLE COLOURS FROM WUTEH COLOUR SAMPLER (POSSIBILITY TO MIX THE DIFFERENT COLOURS ON THE STRIPS). INTERIOR MADE OF MELAMINATED PANEL – AVAILABLE COLOURS FROM WUTEH COLOUR SAMPLER. SLIDING-DOORS CABINETS WITH LOCKS, METAL HANDLES, METAL HANDLE (RAL COLOUR FROM WUTEH COLOUR SAMPLER). REINFORCED RUBBER-TIRED CASTORS WITH A BRAKE.
 WORKTOP WITH LACOBEL GLASS – AVAILABLE COLOURS: MILK-WHITE 9003, BLACK 9005, ANTHRACITE 7016, SILVER 9006.
 RGB LED LIGHTING ILLUMINATING RUSTICATIONS GENERATING VARIOUS COLOURS BY REMOTE CONTROL – INCLUDED AS STANDARD.

RECEPTION DESKS - PEARL

APPROXIMATE LEAD TIME - UP TO 4 WEEKS



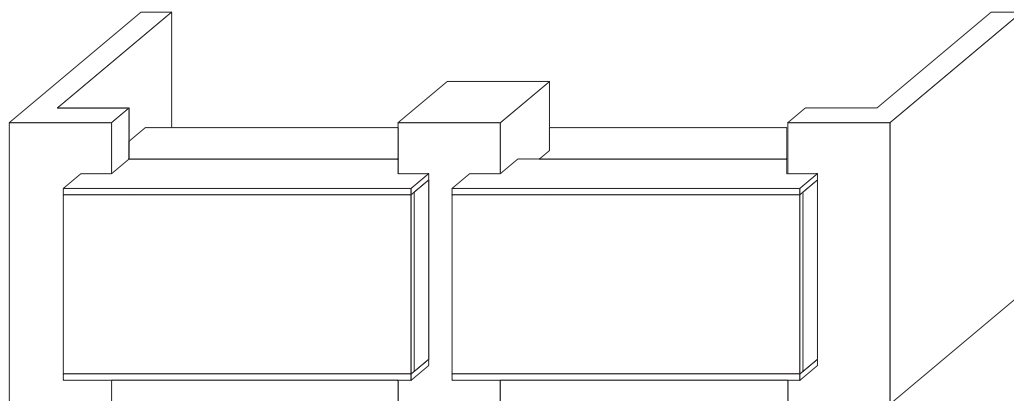
PE-2

FRONT AND SIDES OF THE RECEPTION DESK MADE OF ACRYLUX PANEL – AVAILABLE COLOURS FROM WUTEH COLOUR SAMPLER (POSSIBILITY TO MIX THE DIFFERENT COLOURS ON THE STRIPS). INTERIOR MADE OF MELAMINATED PANEL – AVAILABLE COLOURS FROM WUTEH COLOUR SAMPLER. WORKTOP WITH LACOBEL GLASS – AVAILABLE COLOURS: MILK-WHITE 9003, BLACK 9005, ANTHRACITE 7016, SILVER 9006. WORKTOP INCLUDES TWO SQUARE CABLE-PASSES 90X90 MM – AVAILABLE COLOURS: WHITE, BLACK, CHROMIUM, CHROMIUM MATT. RGB LED LIGHTING ILLUMINATING RUSTICATIONS GENERATING VARIOUS COLOURS BY REMOTE CONTROL – INCLUDED AS STANDARD.

RECEPTION DESKS - TERRA

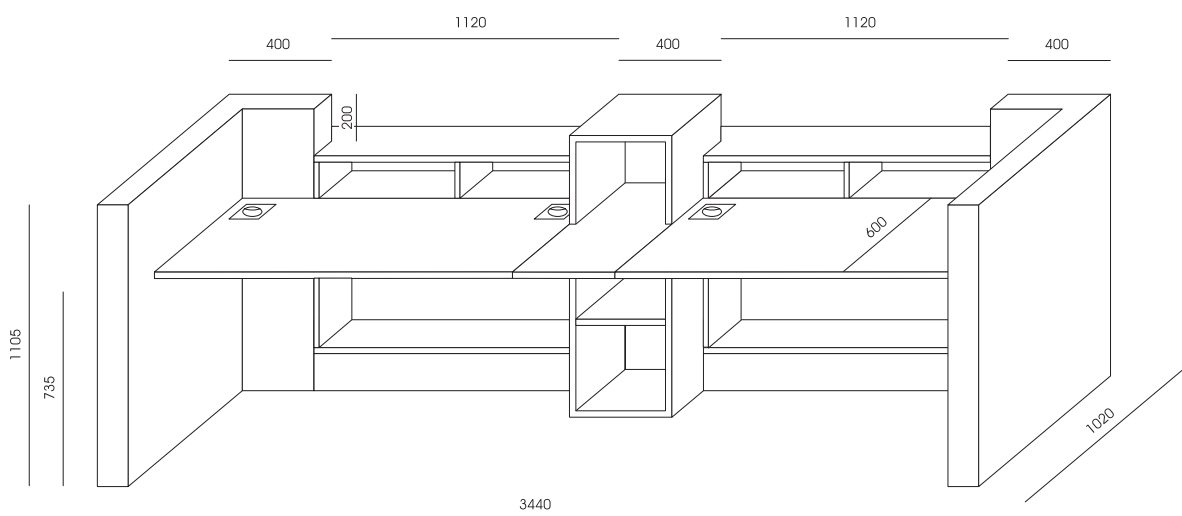


APPROXIMATE LEAD TIME - UP TO 6 WEEKS



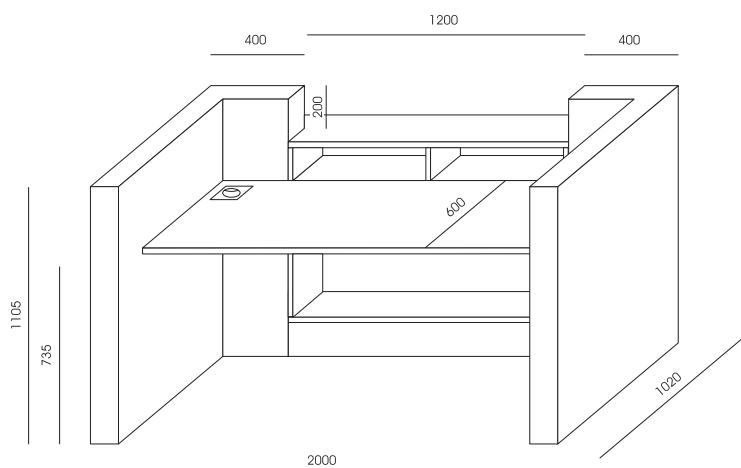
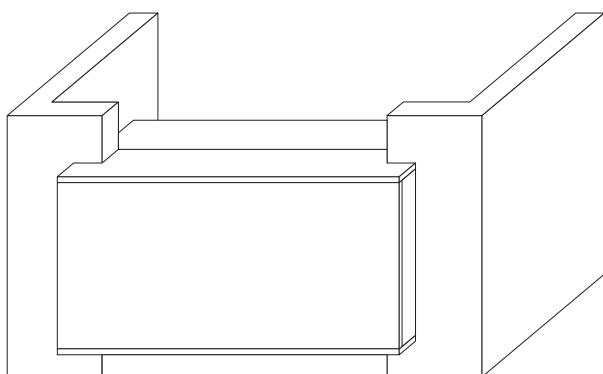
TR-2

TR-2p



TR-5

TR-5p

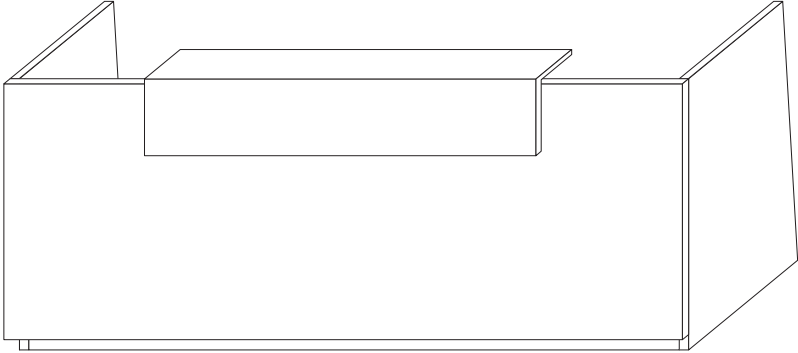


COLUMNS WITH BOX STRUCTURE COVERED WITH HPL LAMINATE - AVAILABLE COLOURS FROM WUTEH COLOUR SAMPLER. THE OTHER COMPONENTS - MELAMINATED PANEL - AVAILABLE COLOURS FROM WUTEH COLOUR CHART. DECORATIVE ALUMINUM PLATE INSERTS IN THE FRONTS. FRONT OF RECEPTION DESK IN PREMIUM VERSION MADE OF ACRYLUX PANEL - AVAILABLE COLOURS FROM WUTEH COLOUR SAMPLER. EACH WORKTOP INCLUDES TWO SQUARE CABLE-PASSES 90X90 MM - AVAILABLE COLOURS: WHITE, BLACK, CHROMIUM, CHROMIUM MATT. OPTION: EL-1 - RGB LED STRIP FOR PLINTHS ILLUMINATION. ONE EL-1 PER ONE RECEPTION DESK.



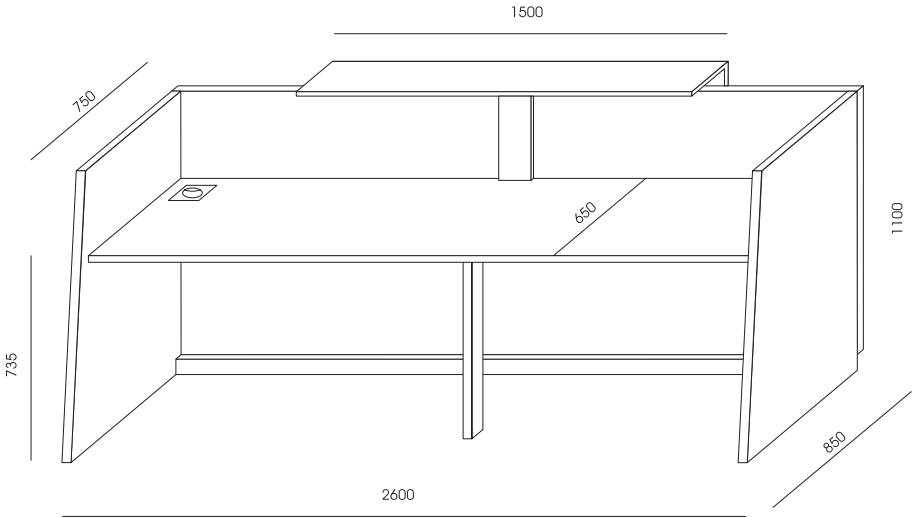
RECEPTION DESKS - LIBRA

APPROXIMATE LEAD TIME - UP TO 4 WEEKS



LB-1

LB-1p



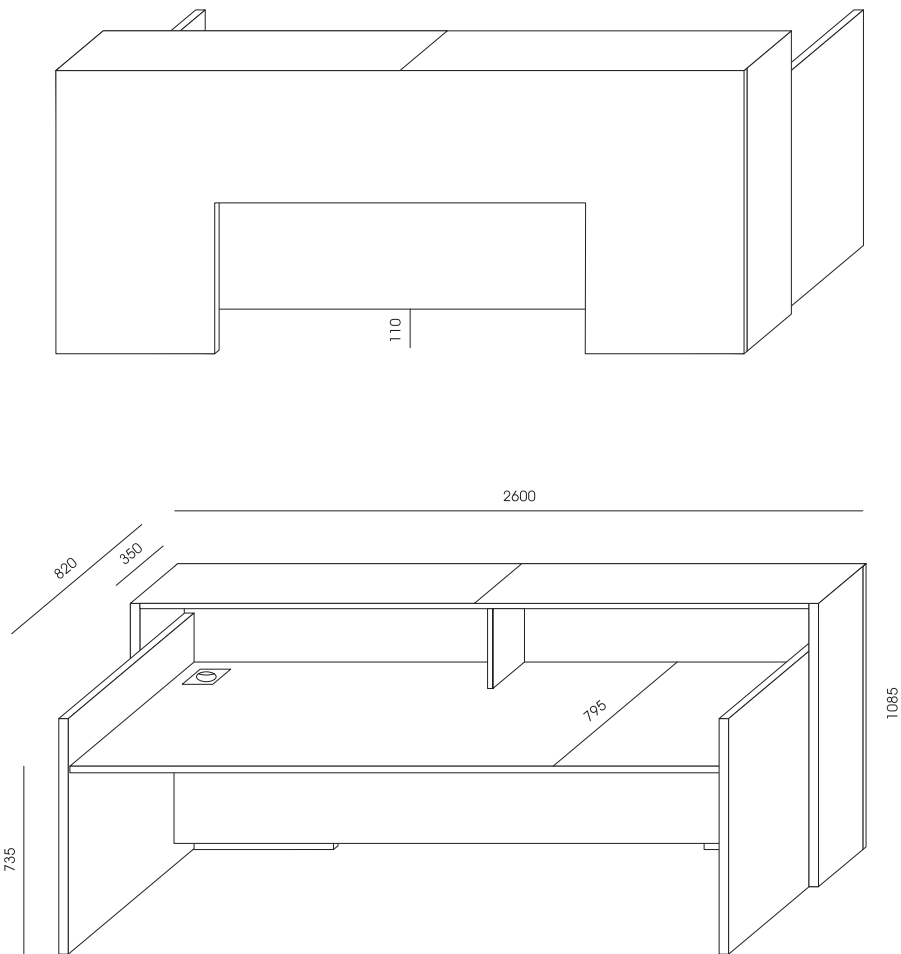
FRONT AND SIDES MADE OF MELAMINATED PANEL - AVAILABLE COLOURS FROM WUTEH COLOUR SAMPLER.
 RISER - ACRYLUX PANEL - AVAILABLE COLOURS FROM WUTEH COLOUR SAMPLER.
 PREMIUM VERSION - FRONT, SIDES AND RISER - ACRYLUX PANEL - AVAILABLE COLOURS FROM WUTEH COLOUR SAMPLER.
 FRONT ALWAYS CONSISTS OF THREE PARTS.
 PLINTH AND LEG - METAL, POWDER COATED TO RAL COLOURS - AVAILABLE COLOURS FROM WUTEH COLOUR SAMPLER.
 WORKTOP INCLUDES TWO SQUARE CABLE-PASSES 90X90 MM - AVAILABLE COLOURS: WHITE, BLACK, CHROMIUM, CHROMIUM MATT.
 OPTION: EL-1 - RGB LED STRIP FOR RISER ILLUMINATION.

RECEPTION DESKS - BLOCK



APPROXIMATE LEAD TIME - UP TO 4 WEEKS

BK-1

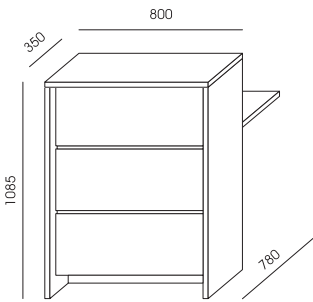
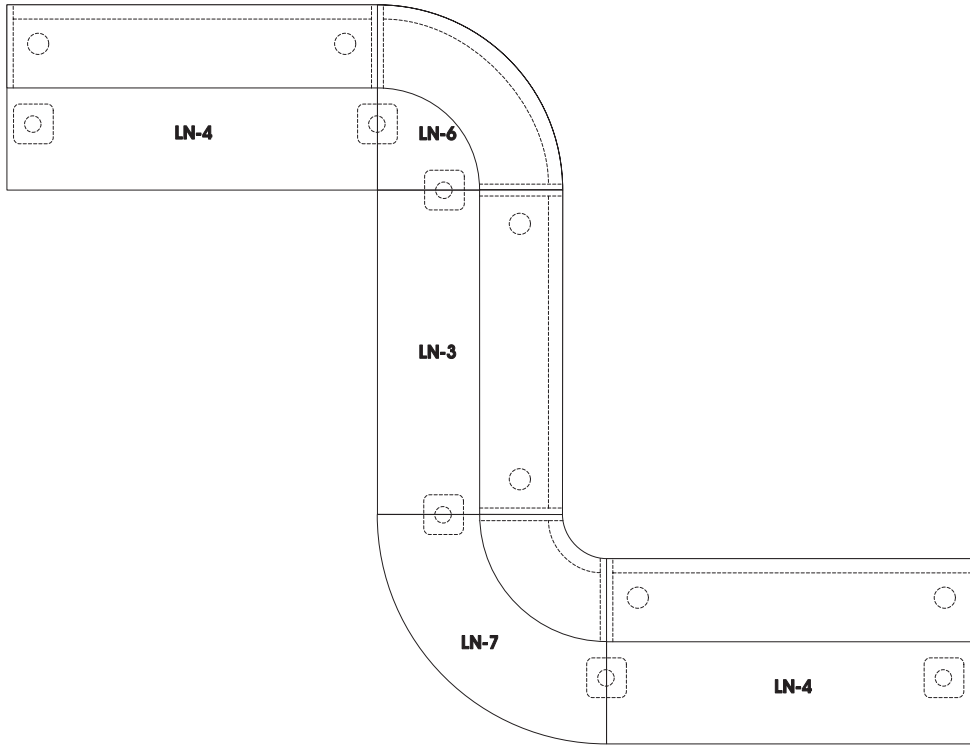


FRONT OF RECEPTION DESK - MELAMINED PANEL, COLOUR CONCRETE D3274 OR AVAILABLE COLOURS FROM WUTEH COLOUR SAMPLER.
WORKTOP - MELAMINED PANEL - AVAILABLE COLOURS FROM WUTEH COLOUR SAMPLER.
THICKER SIDES OF THE RECEPTION DESK - 36 MM, MELAMINED PANEL INSIDE FROM WUTEH COLOUR SAMPLER, ACRYLUX PANEL OUTSIDE - AVAILABLE COLOURS FROM WUTEH COLOUR SAMPLER.
DECORATIVE PANEL - ACRYLUX PANEL - AVAILABLE COLOURS FROM WUTEH COLOUR SAMPLER.
WORKTOP WITH LACOBEL GLASS - AVAILABLE COLOURS: MILK-WHITE 9003, BLACK 9005, ANTHRACITE 7016, SILVER 9006. WORKTOP INCLUDES TWO SQUARE CABLE-PASSES 90X90 MM - AVAILABLE COLOURS: WHITE, BLACK, CHROMIUM, CHROMIUM MATT.
RGB LED LIGHTING GENERATING VARIOUS COLOURS BY REMOTE CONTROL - INCLUDED AS STANDARD.

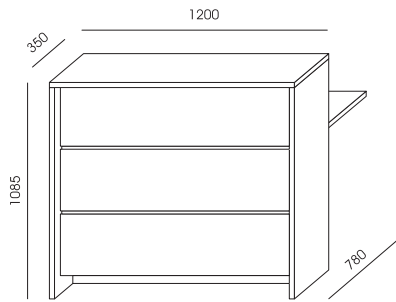


RECEPTION DESKS - LINUS

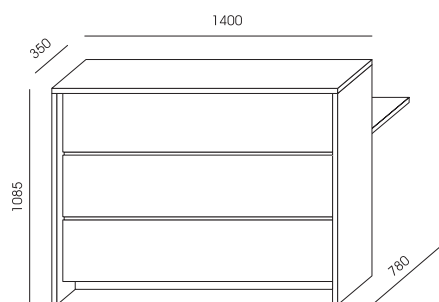
APPROXIMATE LEAD TIME - UP TO 4 WEEKS



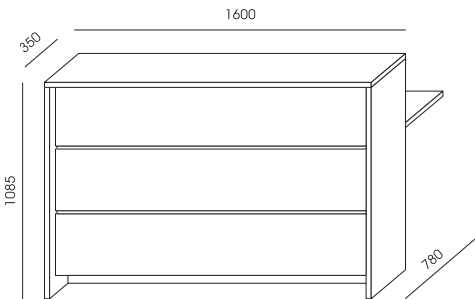
LN-1 LN-1p



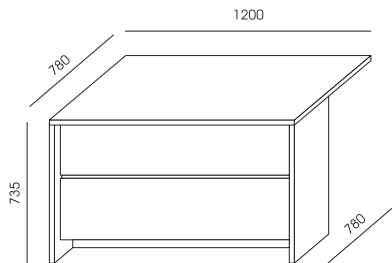
LN-2 LN-2p



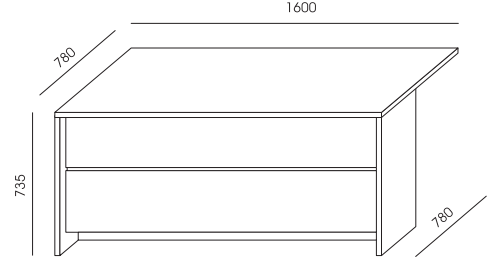
LN-3 LN-3p



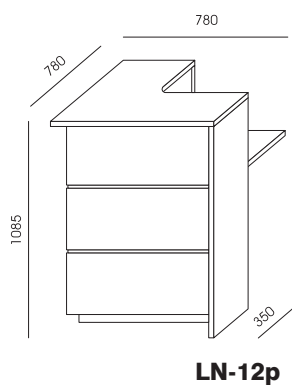
LN-4 LN-4p



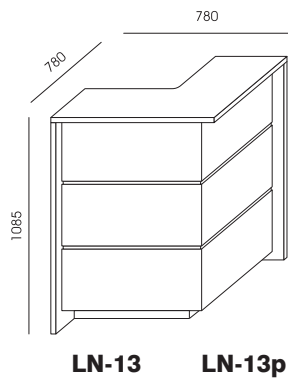
LN-5 LN-5p



LN-8 LN-8p



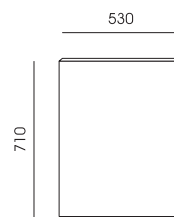
LN-12p



LN-13 LN-13p

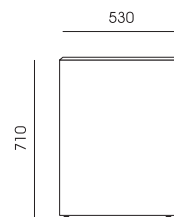


T-3



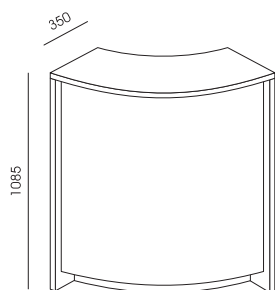
LN-10

RIGHT SIDE OF THE RECEPTION
DESK FROM USER SIDE

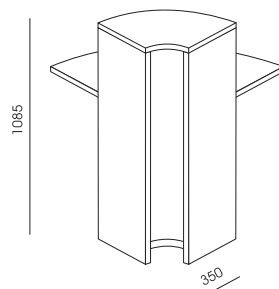


LN-11

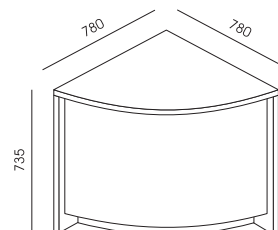
LEFT SIDE OF THE RECEPTION
DESK FROM USER SIDE



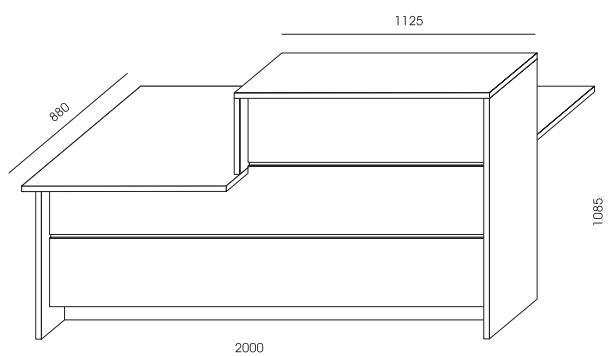
LN-6



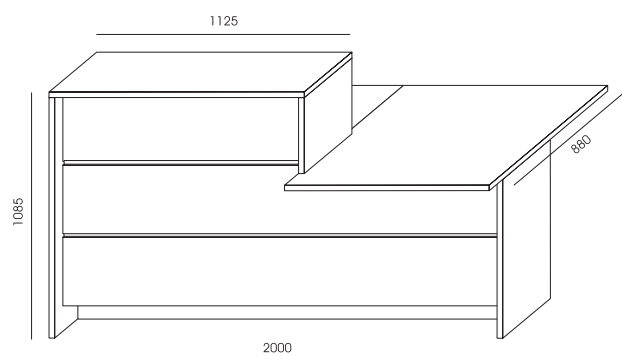
LN-7



LN-9



LN-14 LN-14p



LN-15 LN-15p

RECEPTION DESK MADE OF MELAMINATED PANEL - AVAILABLE COLOURS FROM WUTEH COLOUR SAMPLER.

FRONTS IN PREMIUM VERSION (LN-1P/LN-2P/LN-3P/LN-4P/LN-5P/LN-8P/LN-12P/LN-13P/LN-14P/LN-15P) MADE OF ACRYLUX PANEL - AVAILABLE COLOURS FROM WUTEH COLOUR SAMPLER.

RUSTICATIONS IN FRONTS BETWEEN PANEL STRIPS - MADE OF METAL BARS, POWDER COATED TO RAL COLOURS - AVAILABLE COLOURS FROM WUTEH COLOUR SAMPLER.

LN-6/LN-7/LN-9 - FRONTS AND PLINTHS MADE OF POWDER COATED STEEL PLATE WITH RAL COLOURS - AVAILABLE COLOURS FROM WUTEH COLOUR SAMPLER.

REQUIRED NUMBER OF T-3 LEGS = NUMBER OF DESK MODULES + 1X LEG T-3.

IN HIGH MODULES WORKTOPS HAVE 2 ROUND METAL PORTALS Ø 80, SILVER.

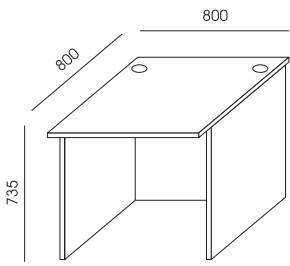
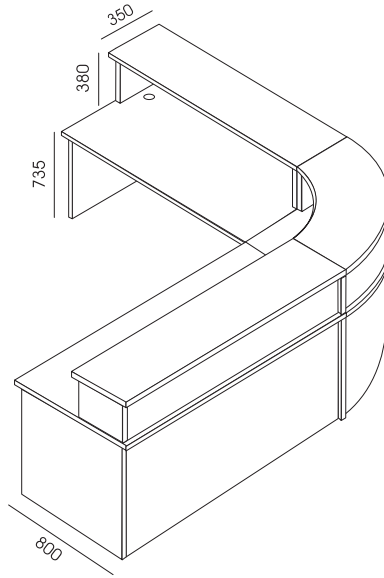
OPTION: EL-1 - RGB LED STRIP FOR PLINTHS AND WORKTOPS ILLUMINATION.

ONE EL-1 PER ONE MODULE OF RECEPTION DESK.

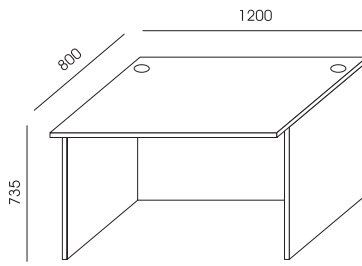


RECEPTION DESKS - VEGA

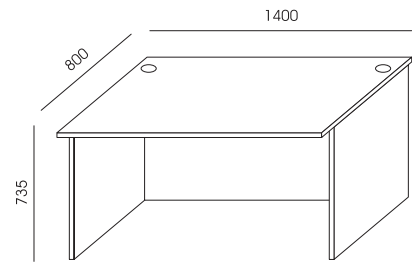
APPROXIMATE LEAD TIME - UP TO 4 WEEKS



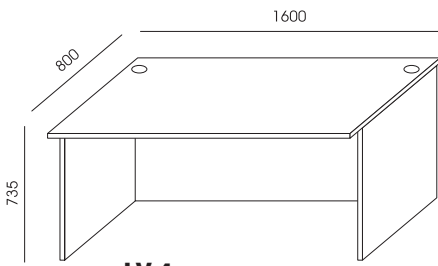
LV-1



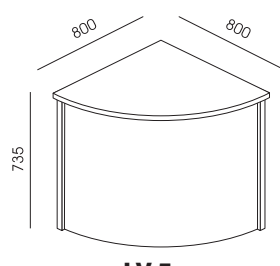
LV-2



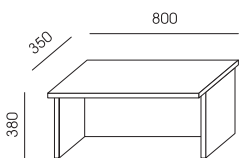
LV-3



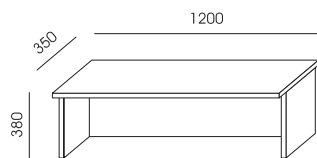
LV-4



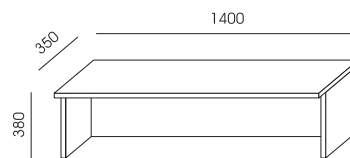
LV-5



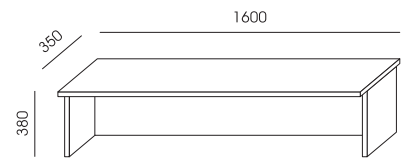
NV-1



NV-2



NV-3

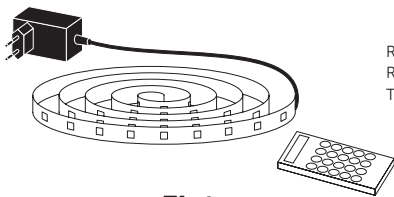


NV-4



NV-5

MELAMINATED PANEL - AVAILABLE COLOURS FROM WUTEH COLOUR SAMPLER.
FRONTS OF RECEPTION DESK LV-5 AND NV-5 - STEEL SHEET POWDER COATED TO RAL COLOURS.
- AVAILABLE COLOURS FROM WUTEH COLOUR SAMPLER.
LV-1, LV-2, LV-3, LV-4 WORKTOPS WITH TWO ROUND METAL CABLE-PASSES Ø 80 MM, SILVER COLOUR.



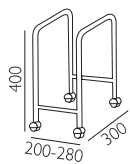
EL-1

RGB LED STRIP FOR ILLUMINATION OF RECEPTION DESKS: TERRA, LIBRA, LINUS



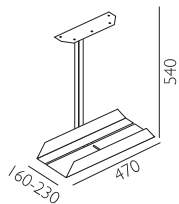
PK-1

SQUARE CABLE-PASS 90X90 MM, MOUNTED IN WORKTOP IN Ø80 MM CUT-OUT (COLOURS: WHITE, BLACK, CHROMIUM, CHROMIUM MATT)



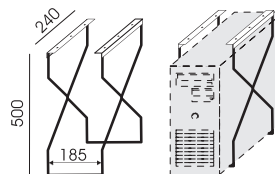
PD-1

MOBILE COMPUTER TROLLEY



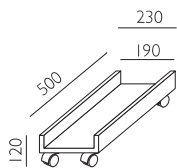
PD-2

SUSPENDED HOLDER FOR COMPUTER



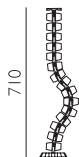
PD-3

SUSPENDED HOLDER FOR COMPUTER



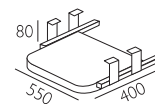
PD-4

COMPUTER TROLLEY, MADE OF PLATE



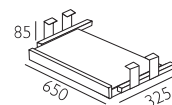
KB-1

VERTICAL CABLE DUCT SILVER COLOUR



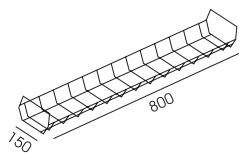
PU-1

MADE OF PLASTIC



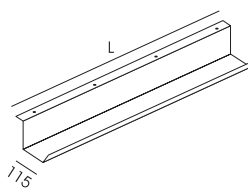
PU-3

MADE OF PANEL



KB-3

SUSPENDED CABLE TRAY



KB-4

L-600

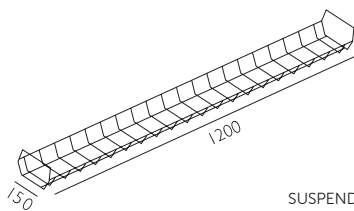
KB-5

L-800

KB-6

L-1200

SUSPENDED CABLE TRAY
L – DIMENSION IN MM



KB-2

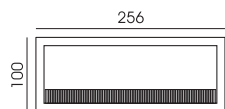
SUSPENDED CABLE TRAY



MULTIMEDIA PORTS

MULTIMEDIA PORTS ARE EQUIPPED WITH SUPPLY CABLES.
SOCKETS AVAILABLE IN BLACK, HOUSINGS ACC. TO DESCRIPTION

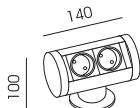
CABLE-PASS WITH COVER



PM-3

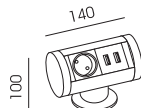
PM-3
ANODIZED ALUMINUM

DESKTOP MOUNTED MULTIMEDIA PORTS



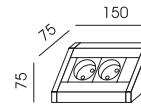
PM-110

2 X MAINS SOCKETS 230V. COLOURS:
BLACK, WHITE, ANODIZED ALUMINUM



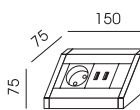
PM-111

1 X 230V MAINS SOCKET, 2 X USB CHARGER, COLO-
URS: BLACK, WHITE, ANODIZED ALUMINUM



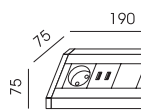
PM-112

2 X MAINS SOCKETS 230V, COLOURS:
BLACK, WHITE, SILVER



PM-113

1 X 230V MAINS SOCKET, 2 X USB CHARGER,
COLOURS: BLACK, WHITE, SILVER



PM-114

1 X 230V MAINS SOCKET, 2 X USB CHARGER,
1 X LOCATION WITH COVER CAP
COLOURS: BLACK, WHITE, SILVER

MULTIMEDIA PORTS MOUNTED IN FI 80 MM HOLE



PM-4

1 X MAINS SOCKETS 230V, 1 X SOCKETS RJ45 CAT.5E,
1 X USB SOCKET. COLOUR: BLACK



PM-5

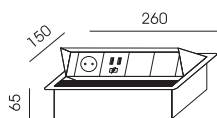
INDUCTION CHARGER



PM-6

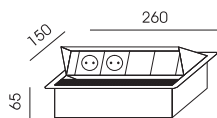
1x 230V MAINS SOCKET, 1 X RJ45 SOCKET CAT.6,
USB CHARGER. COLOUR: BLACK

UNDERDESK MULTIMEDIA PORTS WITH OPENING BOX



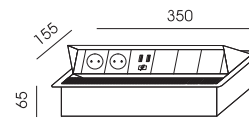
PM-100

1 X 230V SOCKET, 2 X USB CHARGER,
2 LOCATIONS WITH COVER CAP
COLOURS: WHITE, BLACK, SILVER



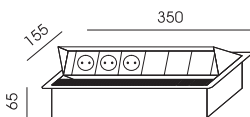
PM-101

2 X 230V SOCKETS, 2 X LOCATIONS WITH COVER CAPS
COLOURS: WHITE, BLACK, SILVER



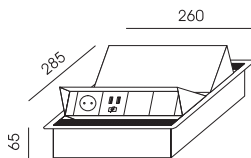
PM-102

2 X 230V SOCKETS, 2 X USB CHARGER,
3 LOCATIONS WITH COVER CAP
COLOURS: WHITE, BLACK, SILVER



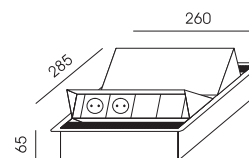
PM-103

3 X 230V SOCKETS, 3 X LOCATIONS WITH COVER CAPS
COLOURS: WHITE, BLACK, SILVER



PM-108

2 X INSERTS: 1 X 230V MAINS SOCKET,
2 X USB CHARGER, 2 X LOCATIONS WITH COVER CAPS
COLOURS: WHITE, BLACK, SILVER

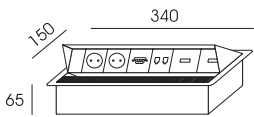


PM-109

2 X INSERTS: 2 X MAINS SOCKETS 230V,
2 X LOCATIONS WITH COVER CAPS
COLOURS: WHITE, BLACK, SILVER

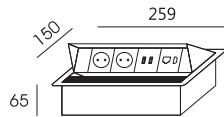


UNDERDESK MULTIMEDIA PORTS WITH OPENING BOX



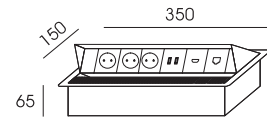
PM-1

2 X MAINS SOCKETS 230V, 2 X RJ45 SOCKETS CAT.5E,
1 X VGA SOCKET, 1 X HDMI SOCKET, 1 X USB SOCKET
COLOURS: SILVER



PM-7

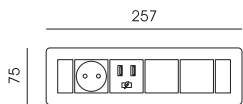
1 X 230V MAINS SOCKETS, 2 X RJ45 SOCKETS CAT.6,
1 X HDMI SOCKET, 2 X USB CHARGER
COLOURS: WHITE, BLACK, SILVER



PM-8

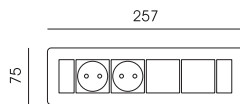
3 X MAINS SOCKETS 230V, 1 X SOCKETS RJ45 CAT.5E,
1 X HDMI SOCKET, 2 X USB CHARGER
COLOURS: WHITE, BLACK, SILVER

UNDERDESK MULTIMEDIA PORTS IN FRAME



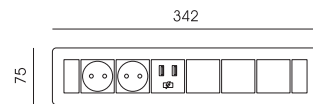
PM-104

1 X 230V SOCKET, 2 X USB CHARGER,
2 X LOCATIONS WITH COVER CAPS
COLOURS: WHITE, BLACK, SILVER



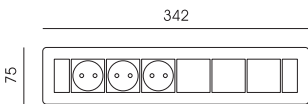
PM-105

2 X 230V SOCKETS, 2 X LOCATIONS
WITH COVER CAPS
COLOURS: WHITE, BLACK, SILVER



PM-106

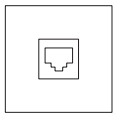
2 X 230V SOCKETS, 2 X USB CHARGER,
3 X LOCATIONS WITH COVER CAP
COLOURS: WHITE, BLACK, SILVER



PM-107

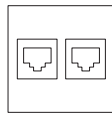
3 X 230V SOCKETS, 3 X LOCATIONS WITH COVER CAPS
COLOURS: WHITE, BLACK, SILVER

CONNECTIONS FOR PORTS CONFIGURATION



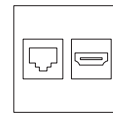
PWM-1

MODULE WITH RJ45 SOCKET CAT. 6 X UTP
KEYSTONE FEMALE/FEMALE COUPLER
COLOUR: BLACK



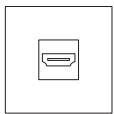
PWM-2

MODULE WITH 2X RJ45 SOCKET CAT. 6 X UTP
KEYSTONE FEMALE/FEMALE COUPLER
COLOUR: BLACK



PWM-3

MODULE WITH RJ45 SOCKET CAT. 6 X UTP KEYSTONE
FEMALE/FEMALE COUPLER AND 1 X HDMI FEMALE SOCKET
COLOUR: BLACK



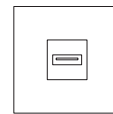
PWM-4

MODULE WITH 1 X HDMI FEMALE SOCKET ON 0.1 M
CABLE WITH FEMALE SOCKET
COLOUR: BLACK



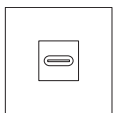
PWM-5

MODULE WITH 1 X DISPLAYPORT FEMALE SOCKET
WITH 3M CABLE WITH MALE PLUG
COLOUR: BLACK



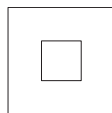
PWM-6

MODULE WITH 1 X USB 2.0 FEMALE SOCKET ON 0.1 M CABLE
WITH FEMALE SOCKET COLOUR: BLACK



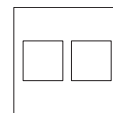
PWM-7

MODULE WITH 1 X USB C FEMALE SOCKET WITH
CABLE 2 M CABLE WITH MALE PLUG
COLOUR: BLACK



PWM-8

THROUGH MODULE WITH SINGLE KEYSTONE
TYPE SOCKET
COLOUR: BLACK



PWM-9

THROUGH MODULE WITH DOUBLE KEYSTONE
TYPE SOCKET
COLOUR: BLACK



NOTES

A series of horizontal dotted lines for writing notes.



A series of horizontal dotted lines spanning the width of the page, intended for writing notes.



NOTES

A series of horizontal dotted lines for writing notes.

